

Manual

Note: 1. The compressor will not restart immediately until 3 minutes later after it is shut down.

a) The remote control manual

- 1.ON/OFF key:** press to turn on/off the A/C.
- 2.TEMPI (temperature setting key):** it can set the temperature from 16°C to 30°C. The key would not work under the auto or dry mode.
- 3.Mode key:** working modes conversion (auto, cooling, dry, ventilation, heating). In the auto mode, the A/C would come to the heating mode when the room temperature is under 21°C, when the room temperature is higher than 27°C, the A/C would come to the cooling mode. The setting temperature is 24°C.
- 4.Fan key:** fan speeds conversion. In the dry mode, the indoor fan is low speed and work automatically; it is the high speed when the temperature gap between the setting temperature and the room temperature is more than 4°C; the gap of 2-3°C is the middle speed; the gap of being under 2°C is the low speed. The wind speed would convert in every minute.
- 5.26°C key:** 26°C key would set the A/C in the cooling mode and provide you the environmental-friendly and comfortable temperature.
- 6.SWING key:** press to set the vane to swing or not.
- 7.F. HEAT key:** 20°C key would set the A/C in the heating mode and provide you the environmental-friendly and comfortable temperature.
- 8.SLEEP:** press to set the sleep mode. In the sleep mode, the A/C would turn off automatically in 8 hours.
- 9.TIMER:** press for timer on/off or cancelling the timer.
- 10.TIME+TIME-:** the time setting ranging from 1 to 16 hours.
- 11.RESET:** press to reset the remote control.

b) Display manual

- 1. POWER light (red):** Light is on when runs.
- 2. The light (yellow):** Once set timer online/offline or sleep, this light is on. Cancel it or reach the time, this light is out.
- 3. Comp light (green):** This light is on, When compressor works.
- 4. IR:** Receive the signal of infrared.
- 5. AUTO KEY:** When there is not remote, it can control on or off.

c) Fault examination:

Fault	Indicator light
Room temperature sensor	Power (red) light flashes
Indoor pipe temperature sensor	Time (yellow) light flashes

Fittings

Name	Quantity
PCB	1
Displayer	1
Transformer	1
Sensor	2
Remote	1
Terminal	1

Optional Accessory

Start capacitor for indoor fan

- 1.5μF
- 1.2μF
- No

For our product the standard-equipped capacitor is a 1.5μF start capacitor. The customer can order the control system with a 1.2μF start capacitor or without a capacitor at all. Please inform us of your specific requirement when placing an order.

QD53C

- The customers are free to set the restart function after recovery of electricity at a blackout accident, which is convenient to operate.
- Special socket design for starting capacitor.
- Optional start capacitor for users to install.
- Unique one key for 26°C environmental comfort cooling mode.
- Double sockets for stepping motor, which is more convenient for installation.
- Outdoor fan controlled independently, the defrost effect is immediate.
- Luxury receiver, elegant appearance and the working state is displayed directly.

- The updated plug for the transformer for easy installation.
- Five working modes.
- Accurate and stable temperature display.
- Accurate auto wind function.
- Prevent cold air in heating mode.
- Double sensors.
- Auto defrost function.
- Three fan speeds of high, middle and low.
- Colorful sensor sockets design and easier to distinguish and install.
- Timer on/off function.
- Sleep function.

NO.W-E-00042-V1

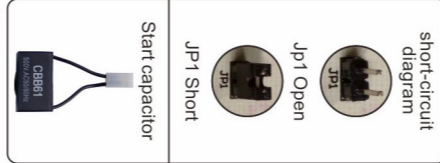
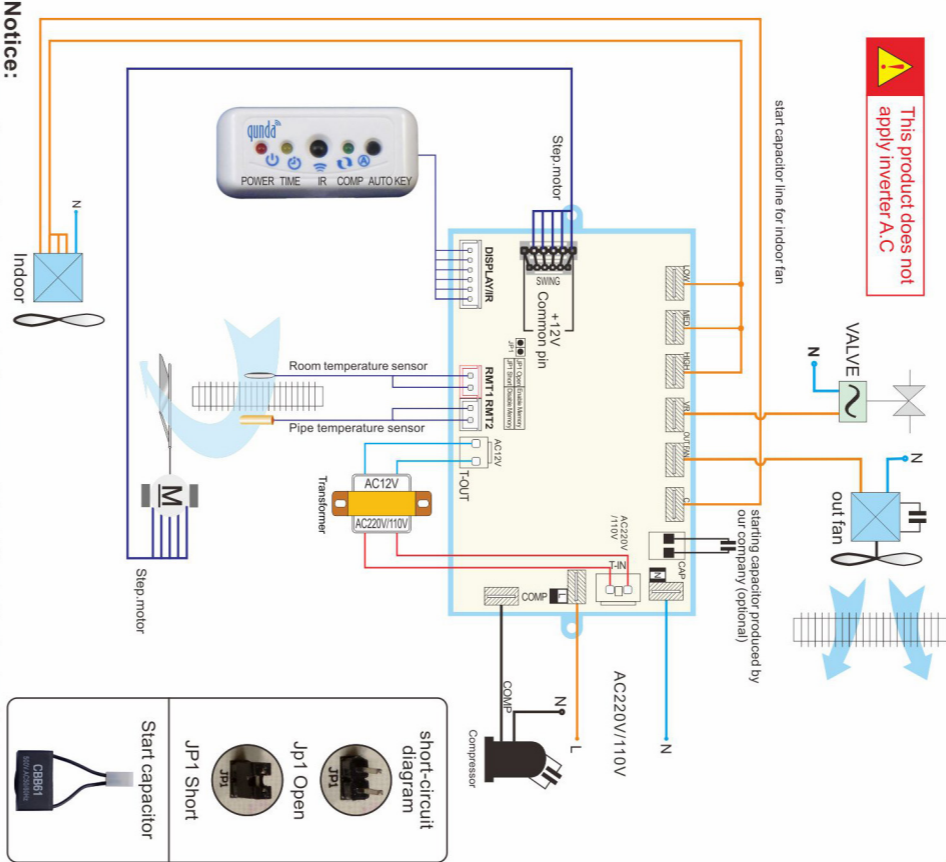
UNIVERSAL A/C CONTROL SYSTEM

QD53C

- Make sure there is no strong light in front of the IR receiver.
- The stepper motor output socket (swing) is the one with six sockets, and the common port is on the two sides. The plug of common port for the fan has to be inserted into the common port of output socket for the stepper motor. If the motor works in the wrong direction, insert the plug of the common port for the fan into the other common port of the output socket for the stepper motor.

Notice:

- If JP1 Open, the control system can restart after recovery of electricity at a blackout accident.
- If JP1 Short, the control system does not have the restart function after recovery of electricity at a blackout accident.
- The customer can choose the starting capacitor for indoor fan produced by our company.
- If the starting capacitor is separated from the original control system, the customer is suggested to use the original starting capacitor and to ensure that the fan speed is identical with that of the original.



QD53C UNIVERSAL A/C CONTROL SYSTEM



MADE IN CHINA



qunda Controller Expert

UNIVERSAL A/C CONTROL SYSTEM

QD53C

- Restart function after power failure
- Outdoor fan controlled independently
- Unique one key for 26°C environmental comfort cooling mode



qunda Controller Expert



Please install by certificated technician.
Please test the system before installation.
Please avoid strong light before IR receiver